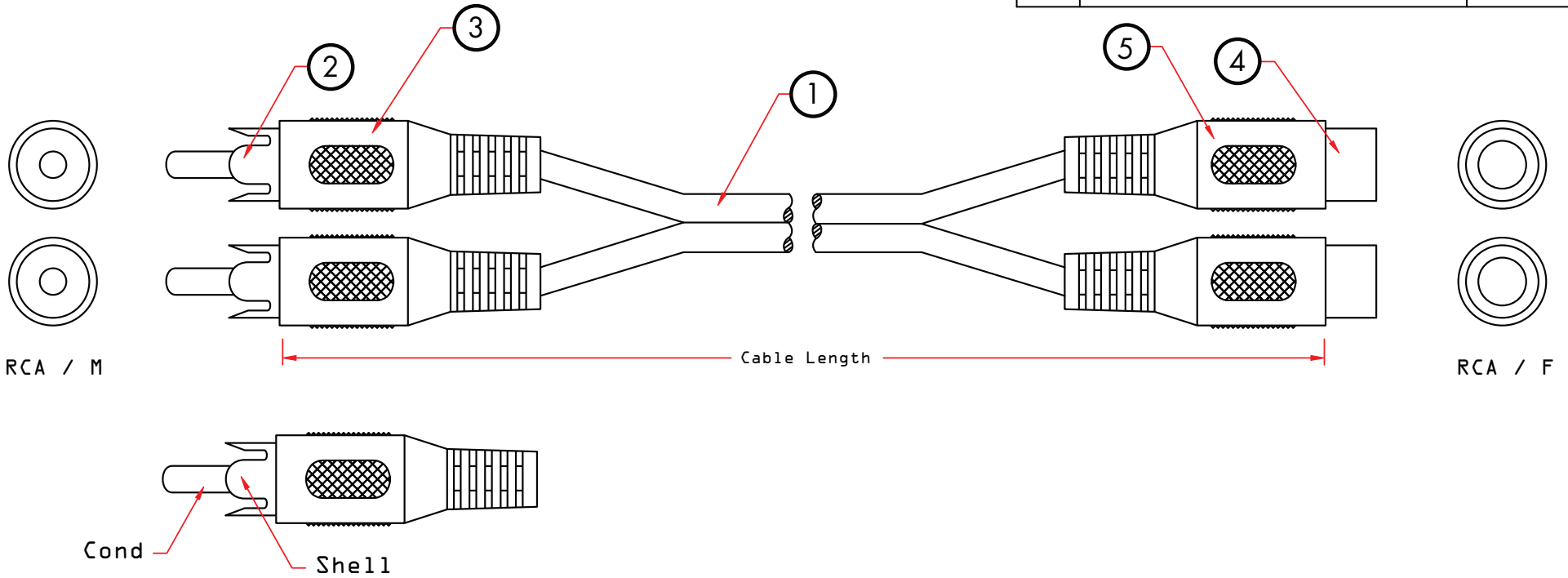
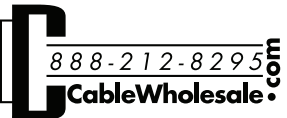


| REV. | DESCRIPTION | DATE    |
|------|-------------|---------|
| A    |             |         |
| B    |             | 11-2006 |



| Pin Assignment |             |
|----------------|-------------|
| RCA Male       | RCA Female  |
| Cond _____     | Cond _____  |
| Shell _____    | Shell _____ |

| PART NO.   | CABLE LENGTH |
|------------|--------------|
| 10R1-02206 | 6 ft         |
| 10R1-02212 | 12 ft        |
| 10R1-02225 | 25 ft        |

| ITEM NUMBER |   | 10R1-022xx                                       |   | DRAWER  | MPD  |
|-------------|---|--|---|---|------|
| 5           | RCA Hood, Black Molded PVC  | TITLE<br>RCA x 2 Male / RCA x 2 Female A/V Cable |   | CHECKED   | MAC  |
| 4           | RCA Female, Nickel Plated Shell   |  |   | APPROVED  | MAC  |
| 3           | RCA Hood, Black Molded PVC  | MATERIAL   |   | SCALE   | INCH |
| 2           | RCA Male, Nickel Plated Shell   |  |   |   |      |
| 1           | 1C 26AWG (10*0.127mm) Copper + Sprial Shield (28*0.12mm) Copper. Jacket: Black PVC. OD: 2.5mm | REV.   | A | UNIT  |      |
| NO.         | SPECIFICATIONS  | DRAWING NO:                                      |   | <br>888-212-8295.com |      |
|             | BOM LIST  |  |   |   |      |