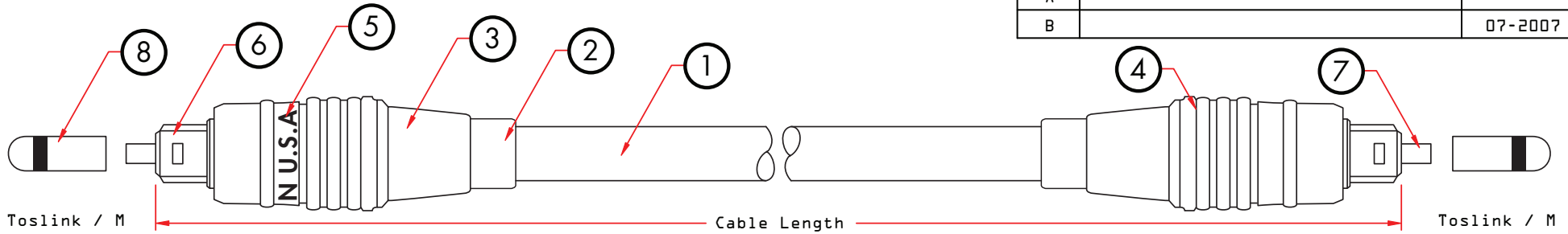


REV.	DESCRIPTION	DATE
A		
B		07-2007



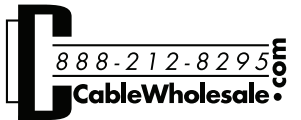
Endurance Test		
Item	Conditions	Judgement
High Temp. Storage	70C, 120 Hours	Fiber Optic Output Variation 1dB or less Passed
Low Temp. Storage	-30C, 120 Hours	
Humidity Resistance	40C, 90%, 120 Hours	
Operation Temp.	-40C ~ +80C	

PART NO.	CABLE LENGTH
10TG-AC7003	3 ft
10TG-AC7006	6 ft
10TG-AC7012	12 ft
10TG-AC7025	25 ft
10TG-AC7035	35 ft
10TG-AC7050	50 ft
10TG-AC7075	75 ft
10TG-AC70HD	100 ft

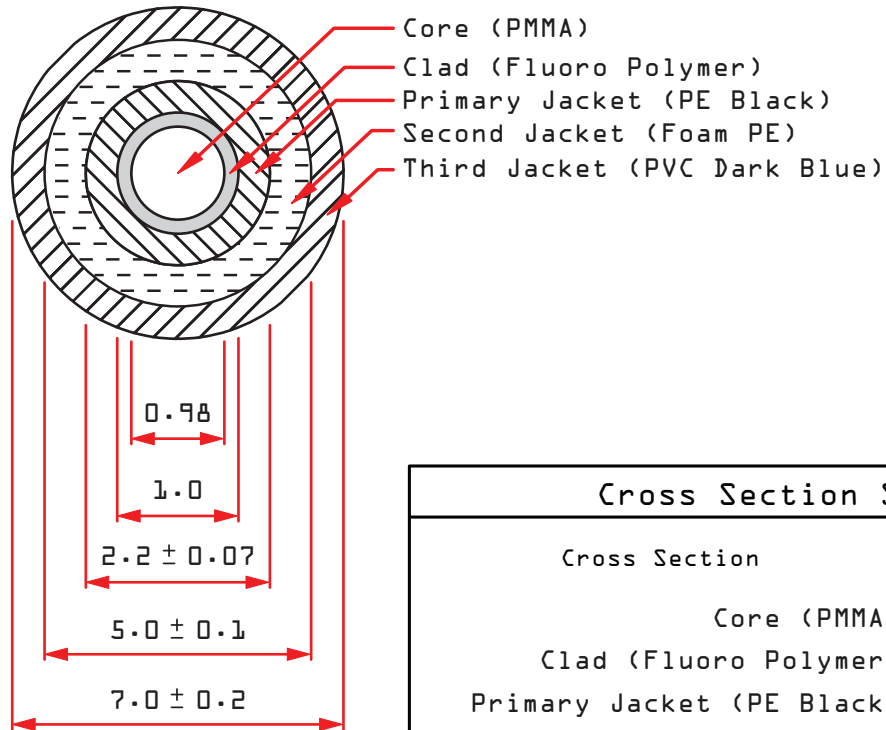
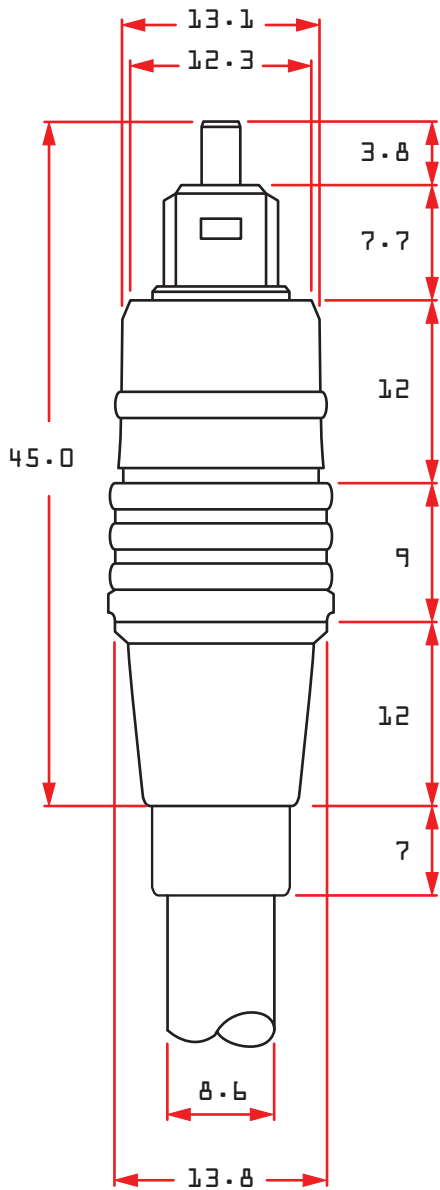
Environment		
Item	Conditions	Judgement
Temperature Cycle	-20C (30min) 25C (10min) 70C (30min) 10 Cycles	Transmission Loss Variation 1dB or Less.
Pulling Strength	Plug Side - Cord 49N 30 sec Plug Side - Tip 16N 30 sec	
Optic Connector Operation	Use Toshiba Toslink Jack 500 Times Use 3.5 Optical Jack 500 Times	Insertion/Withdrawal Force 6N-39.2N Insertion/Withdrawal Force 4N-34.3N
ABS Non-Migration	Temperature: 54+/-1C Time: 24+/-1H Weight: 500+/-25g	When visually inspected. Any staining of the area of the ABS that was in contact with the test pieces shall hardly be recognized.

8	Protective Cap: PVC - Transparent
7	Tip: Brass - Gold Plated
6	Toslink Plug: PBT+30% - Black
5	Label: Tetron Paper - Blue Ground with White Words
4	Sleeve: PVC - Dark Blue
3	Shell: Brass - Gold Plated
2	Bushing: PVC - Dark Blue
1	Cable: PVC - Dark Blue
NO.	SPECIFICATIONS
	BOM LIST

ITEM NUMBER	10TG-AC70xx		DRAWER	MPD
TITLE	Premium Grade Digital Fiber Optic Cable, Gold Connector, 7.0mm		CHECKED	MAC
			APPROVED	MAC
MATERIAL		SCALE		
REV.	A	UNIT		INCH
DRAWING NO:				



REV.	DESCRIPTION	DATE
A		
B		07-2007



Cross Section Specifications	
Cross Section	Diameter
Core (PMMA)	0.98mm
Clad (Fluoro Polymer)	1.0mm
Primary Jacket (PE Black)	2.2+/-0.07mm
Second Jacket (Foam PE)	5.0+/-0.1mm
Third Jacket (PVC Dark Blue)	7.0+/-0.2mm

ITEM NUMBER	10TG-AC70xx		DRAWER	MPD
TITLE	Premium Grade Digital Fiber Optic Cable, Gold Connector, 7.0mm		CHECKED	MAC
MATERIAL		SCALE	APPROVED	MAC
REV.	A	UNIT	INCH	
DRAWING NO:				
			 888-212-8295.com	