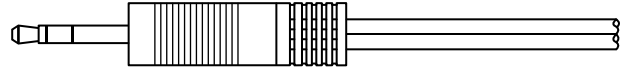
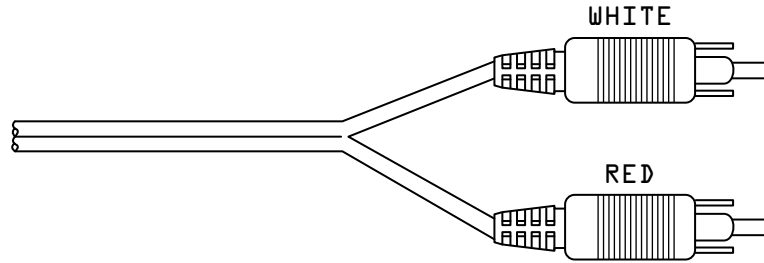


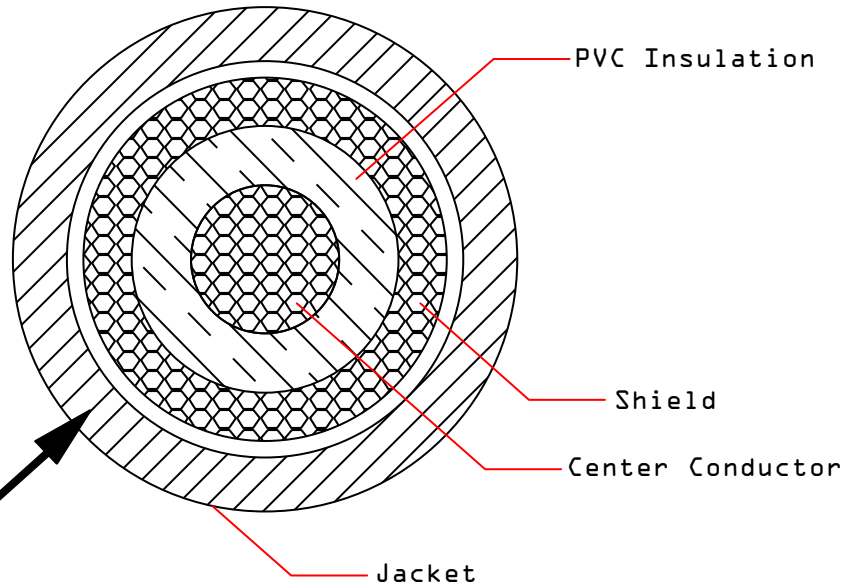
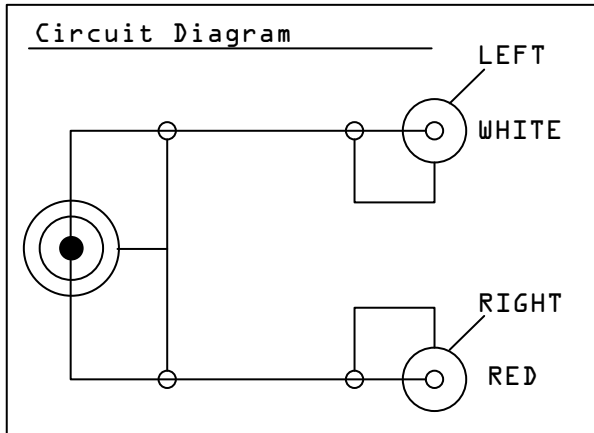
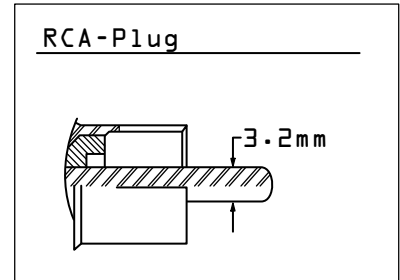
REV.	DESCRIPTION	DATE
A		
B		02-2006



3.5mm / M



RCA / M



PART NO.	CABLE LENGTH
2RCA-STE-1	1 ft
2RCA-STE-6	6 ft
2RCA-STE-12	12 ft
2RCA-STE-25	25 ft
2RCA-STE-50	50 ft

2.8mm OD Spiral-Shielded Audio Cable
 26AWG 10 x 0.12mm Bare Copper Center Conductor
 28 x 0.12mm Bare Copper Spiral-Shield
 1.1mm OD PVC Insulator
 2.8mm OD Black Satin Rubberized Flex PVC Jacket

ITEM NUMBER	2RCA-STE-xx		DRAWER	MPD
TITLE	2 x RCA Male / 1 x 3.5mm Male		CHECKED	MAC
MATERIAL	SCALE		APPROVED	MAC
REV.	A	UNIT	INCH	
DRAWING NO:				

